

Product availability: Non-Stock - Not normally stocked in distribution facility



### Main

Range of Product	Modicon STB distributed I/O solution
Product or Component Type	Standard digital output kit
Kit composition	STBXTS1100, 5-terminal screw type connector STBXBA2000 base STBXTS2110, 5-terminal spring clamp connector STBDRA3290 module
Discrete output number	2
Discrete output type	Relay
Discrete output function	1 NO + 1 NC
Discrete output voltage	24 V 115...230 V
Discrete output voltage type	AC DC

### Complementary

Discrete output current	7000 mA
Discrete output logic	Positive or negative
Output voltage	20...250 V AC 5...30 V DC
Response Time	10 ms off-to-on 10 ms on-to-off
Switching capacity in VA	2100 VA resistive
Mechanical durability	1000000 Cycles
Electrical durability	100000 Cycles resistive
Cold swapping	Yes
Hot swapping fallback	Yes for standard NIMs
Fallback status	State 0 basic NIMs User configurable standard NIMs
Protection type	Coil protection integrated fuse on PDM time lag 10 A Output surge protection GMOV
Insulation between channels	500 V for 1 minute
Insulation between channels and logic bus	1780 V for 1 minute
Insulation between logic bus and actuator bus	1500 V for 1 minute
Surge current	20 A 10 ms capacitive

Minimum load	50 MA
Reset	Manual reset COM fault
Product Compatibility	I/O base STBXBA3000 Power distribution module STBPDT3100/3105
[Us] rated supply voltage	24 V DC
Supply	Power distribution module
Current consumption	55 mA at 5 V DC for logic bus
Marking	CE
Overvoltage category	II
Status LED	Module status (RDY) 1 LED Green) Channel status (OUT1 to OUT2) 1 LED per channel Green) Module error (ERR) 1 LED Red)
Maximum Height	1.11 In (28.1 mm)
Maximum Depth	2.76 In (70 mm)
Maximum Width	5.05 In (128.3 mm)
Net Weight	0.29 Lb(US) (0.13 kg)

## Environment

Standards	EN/IEC 61131-2
Product Certifications	FM Class 1 Division 2 UL CSA
Pollution degree	2 IEC 60664-1
Operating altitude	<= 6561.68 ft (2000 m)
IP degree of protection	IP20 conforming to EN 61131-2 class 1
Ambient air temperature for operation	32...140 °F (0...60 °C) without derating)
Ambient air temperature for operation	32...140 °F without derating
Ambient air temperature for storage	-40...185 °F (-40...85 °C) without derating
Ambient air temperature for storage	-40...185 °F without derating
Relative humidity	95 % 140 °F (60 °C) without condensation
Vibration resistance	3 gn 58...150 Hz 35 x 7.5 mm symmetrical DIN rail 5 gn 58...150 Hz 35 x 15 mm symmetrical DIN rail +/-0.35 mm 10...58 Hz
Shock resistance	30 gn 11 ms IEC 88 reference 2-27

## Ordering and shipping details

Category	18215 - ADVANTYS STB I/O
Discount Schedule	PC32
GTIN	03595863949131
Nbr. of units in pkg.	1
Package weight(Lbs)	6.95 Oz (197 g)
Returnability	No
Country of origin	ID

## Packing Units

Unit Type of Package 1	PCE
Package 1 Height	1.57 In (4 cm)
Package 1 width	2.95 In (7.5 cm)
Package 1 Length	5.12 In (13 cm)

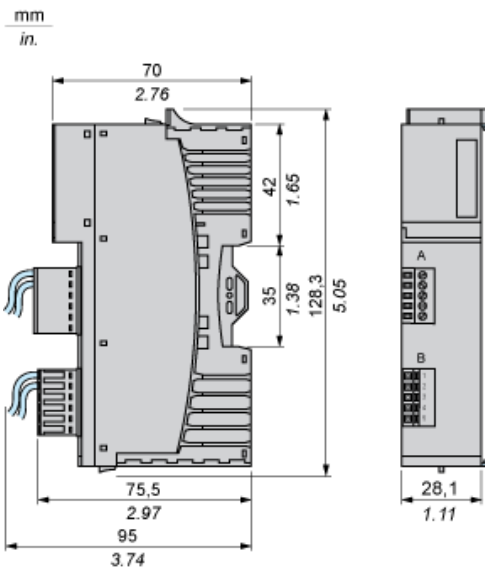
## Offer Sustainability

Sustainable offer status	Green Premium product
California proposition 65	WARNING: This product can expose you to chemicals including: Lead and lead compounds, which is known to the State of California to cause cancer and birth defects or other reproductive harm. For more information go to <a href="http://www.P65Warnings.ca.gov">www.P65Warnings.ca.gov</a>
REACH Regulation	<a href="#">REACH Declaration</a>
EU RoHS Directive	Pro-active compliance (Product out of EU RoHS legal scope) <a href="#">EU RoHS Declaration</a>
Mercury free	Yes
RoHS exemption information	<a href="#">Yes</a>
China RoHS Regulation	<a href="#">China RoHS Declaration</a>
Environmental Disclosure	<a href="#">Product Environmental Profile</a>
Circularity Profile	<a href="#">End Of Life Information</a>
WEEE	The product must be disposed on European Union markets following specific waste collection and never end up in rubbish bins.

## Contractual warranty

Warranty	18 months
----------	-----------

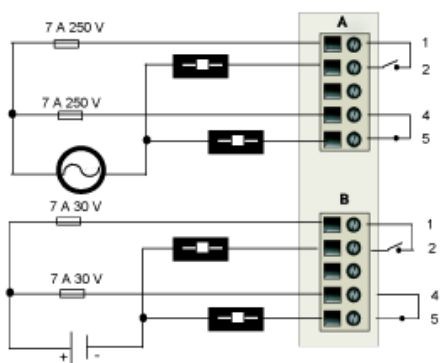
Dimensions



Wiring Diagram

Example

4 two-wire actuators



Pin	Top Connector	Bottom Connector
1	N.O. connection for relay 1	N.O. connection for relay 2
2	N.O. connection for relay 1	N.O. connection for relay 2
3	no connection	no connection
4	N.C. connection for relay 1	N.C. connection for relay 2
5	N.C. connection for relay 1	N.C. connection for relay 2

Product Life Status : **Commercialised**